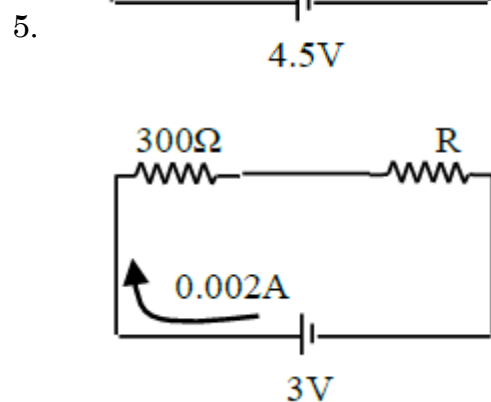
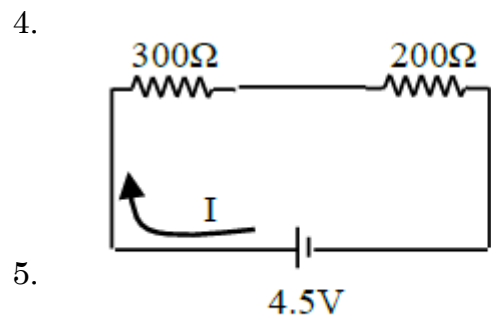
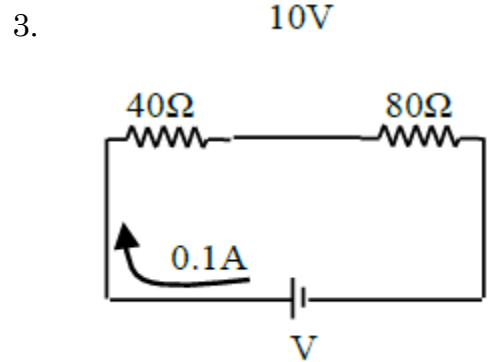
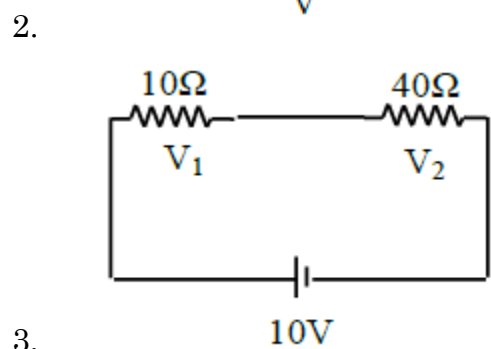
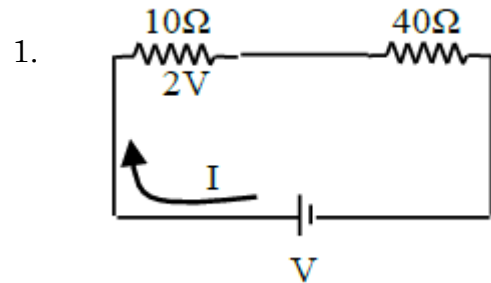


Circuit Rules Practice – Easy



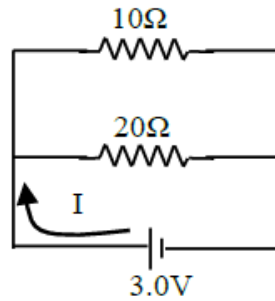
Find the unknown values:



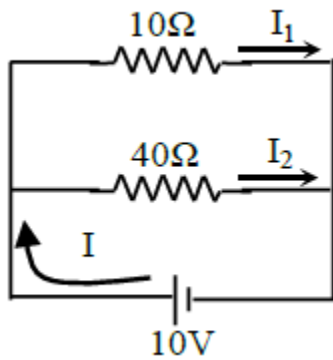
Parallel Practice

6.

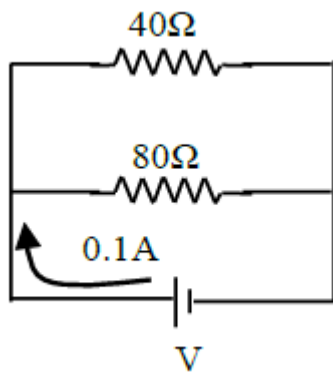
Calculate the total resistance R and total current I .



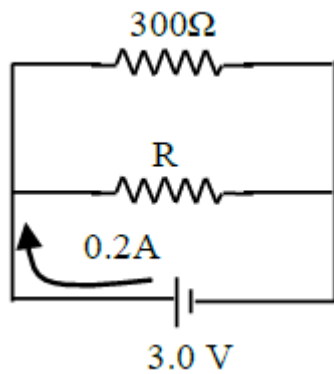
7.



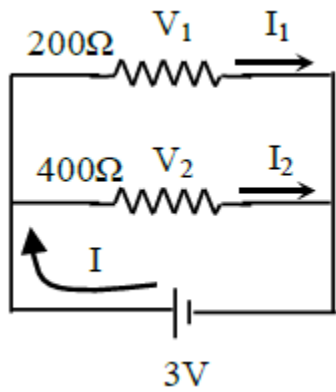
8.



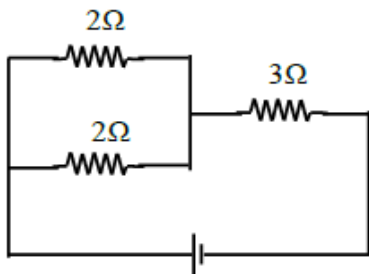
9.



10.

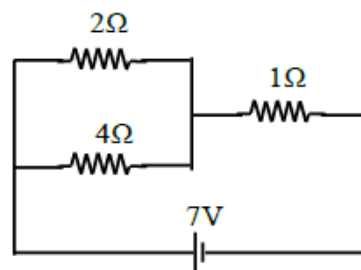


11. find the Equivalent (total) resistance in the following circuit



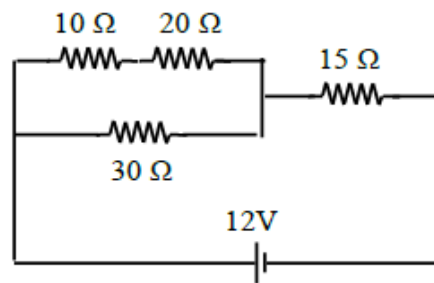
12.

. Calculate the equivalent resistance R and the total current I



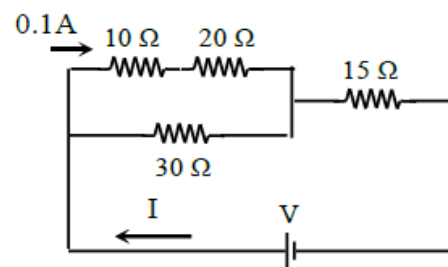
13.

Calculate the equivalent resistance R and the total current I



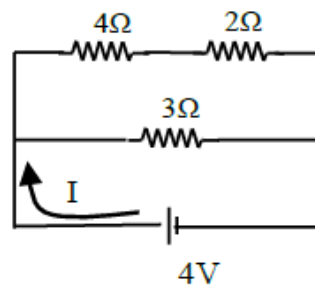
14.

Calculate the total current I and total voltage V .



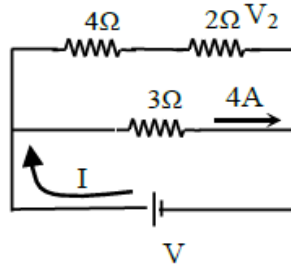
15.

Calculate the equivalent resistance R and the total current I .



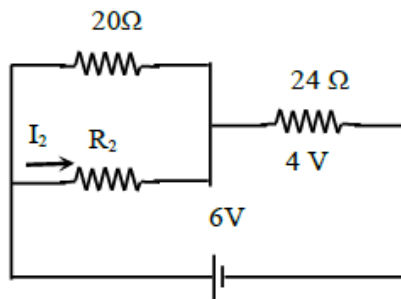
16.

Calculate the the total current I, total voltage V and V_2 .



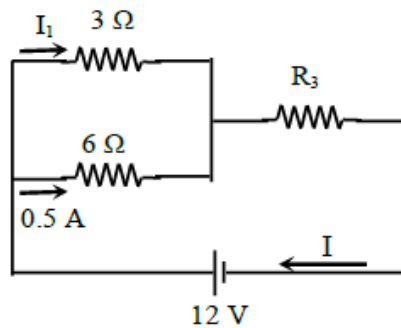
17.

Calculate the R_2 , and I_2 .



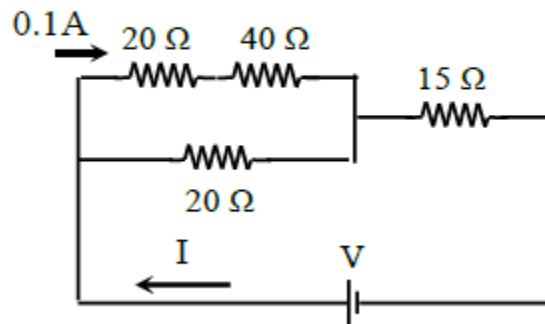
18.

Calculate the I_2 , R_3 , the total current I.



19.

Calculate the the total current I and total voltage V .



20.

If $R_1 = R_2$, calculate the R_1 , I_2 , and the total current I .

